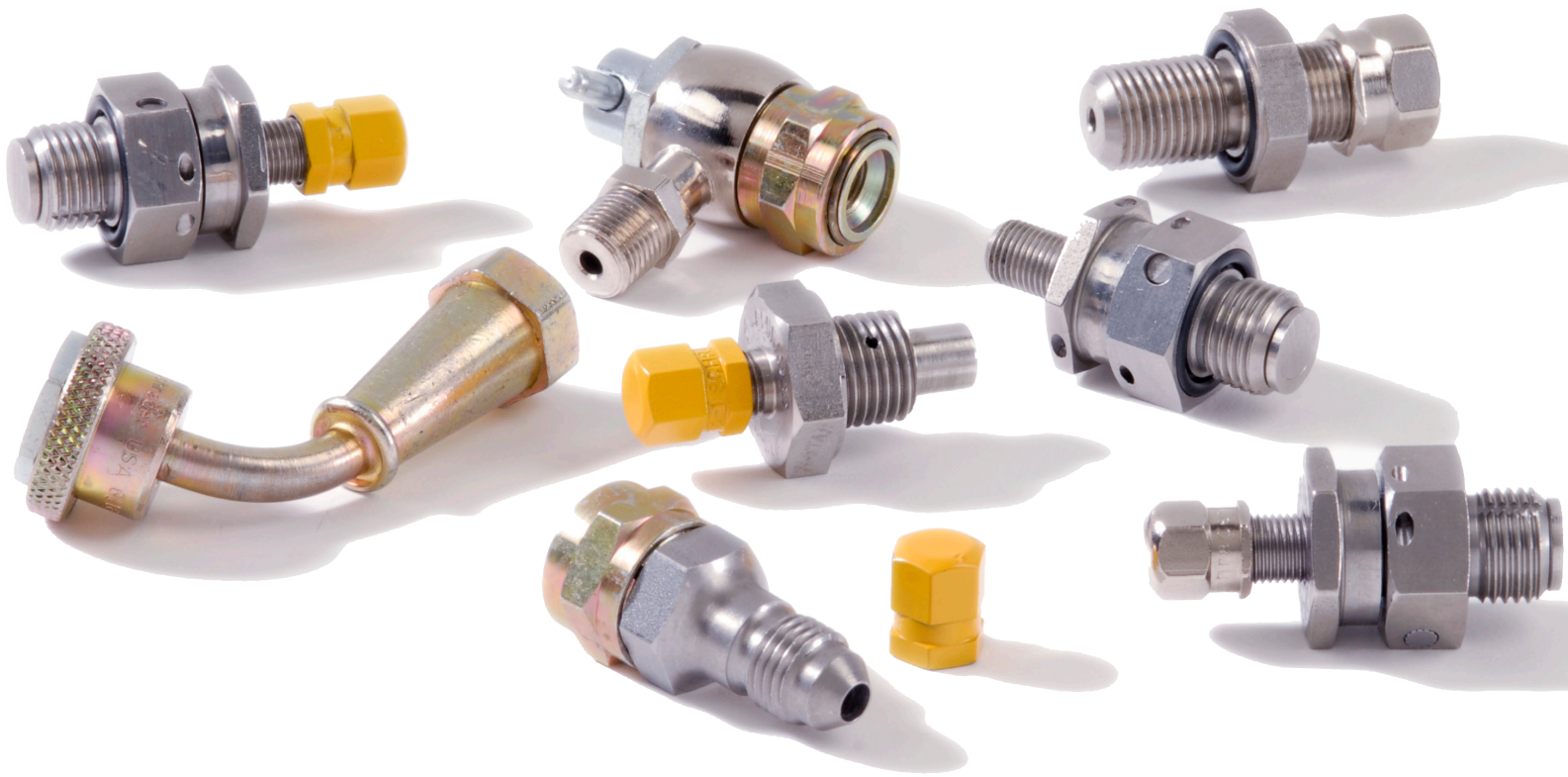
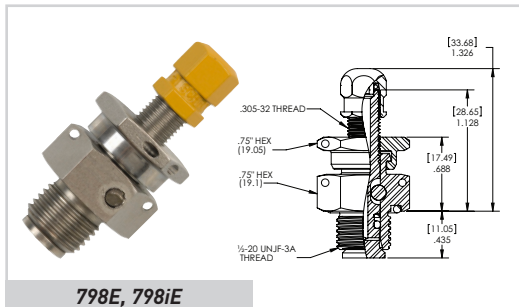
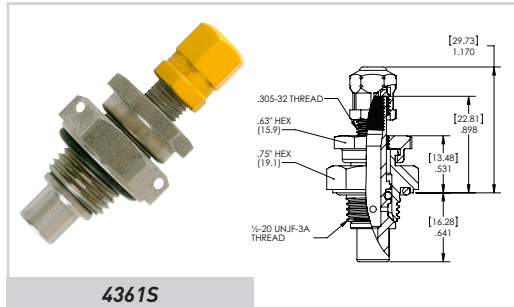
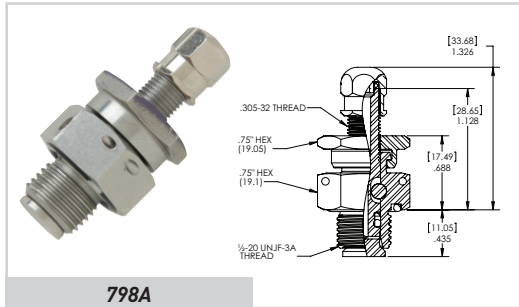
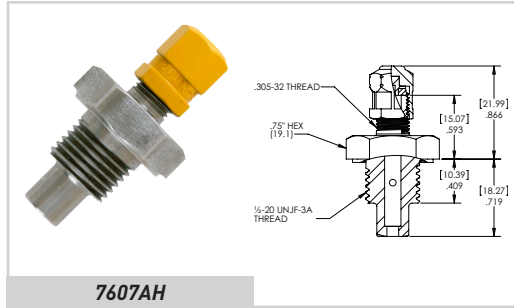
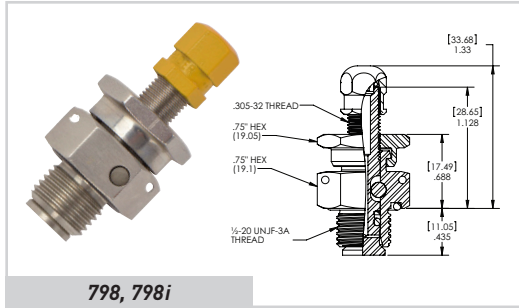


SCHRADER HIGH PRESSURE VALVES & CONNECTORS

▶▶ FOR USE IN HIGH-PRESSURE APPLICATIONS



HIGH PRESSURE VALVES



Schrader High Pressure Valves are constructed of stainless steel bodies and are intended for use in high-pressure air-charged units such as shock absorber struts, hydraulic pressure accumulators, surge cylinders, and pneumatic systems. These valves have a special feature which warns of un-released air pressure when the valve is being separated from the outlet. Contact Schrader for further information on military and commercial adaptations. Valves have 1/2"-20 UNJF-3A threads for connection to container.

High Pressure Valves

Part Number	Generic Number	AN/MS Number	Cap	Core	Working Pressure (PSIG)	Remarks
007987105	798	M-6164-2	132790	-	5,000	o-ring 007980114
007987109	798A	M-6164-5	761200	-	5,000	Meets Boeing spec. BAC-V10T, Nickel plated cap. Compatible with Skydrol #500-A Hydraulic fluid per M-6164-5
007987311	798E	M-6164-2	132790	-	5,000	Lockwire holes in swivel nut
0798001000	798i		132790	-	5,000	Not certified for aircraft use - Industrial use only
0798002000	798iE		132790	-	5,000	Lockwire holes in swivel nut. Not certified for aircraft use - Industrial use only
043617010	4361S	AN-6287	132790	9914	4,000	
076070949	7607AH	AN-812-1	132790	9914	4,000	

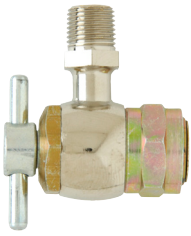
- Installation Torque: 120 ± 5 in/lbs (Lubricate o-ring with hydraulic oil) - Does not apply to 7607AH
- Closing Torque: 55 ± 5 in/lbs - Does not apply to 7607AH
- Cap Installation Torque: 5 - 15 in/lbs

Due to the variety of operating conditions or applications, the customer is responsible to perform their own testing to insure performance, safety and warning requirements for the intended application.

HIGH-PRESSURE INFLATING CONNECTORS

High Pressure Inflating Connectors

These high pressure inflating connections attach securely by hand or wrench to the valve cap threads of high pressure valves. They can be fitted to gauging and inflating devices by a variety of methods. Various angles permit easy attachment to hard-to-reach valves.



005560099



027550169
027550008



050070099



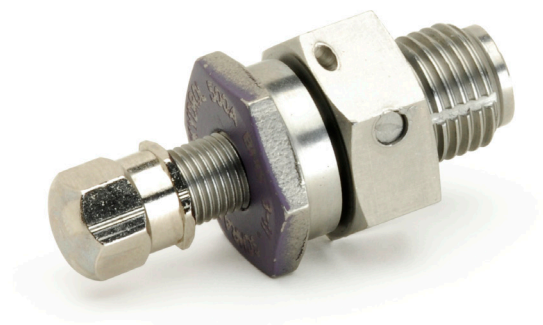
061160001



057840099

Part Number	Generic Number	Thread Size	Air Line Connection	Max. Pressure (PSIG)	Configuration	Recommended Max. Torque to Valve Mouth*	Remarks
005560099	556	.305"-32	1/8" NPT Male	3,000	Air line connection: 90° to axis of valve	50 in.-lb.	Has core depressor pin, copper sealing washer 027550080 (25 pack, 100 pack)
027550169	2755	.305"-32	3/8"-24 thread for 3/16" flare tube fitting, meets SAE A54395	3,000	Air line connection: 90° to axis of valve	50 in.-lb.	Has core depressor pin, copper sealing washer 027550080 (25 pack, 100 pack)
027550008	2755 Large Bore	.485"-26	3/8"-24 thread for 3/16" flare tube fitting	3,000	Air line connection: 90° to axis of valve	50 in.-lb.	Has core depressor pin, copper sealing washer 027550012 (25 pack, 100 pack)
050070099	5007	.305"-32	7/16"-20 thread for 1/4" flare tube fitting, meets SAE AS4395	15,000	Straight	75 in.-lb. for steel valves	Copper sealing washer 027550080 (25 pack, 100 pack)
061160001	6116	.305"-32	1/8" NPT Female	3,000	Air line connection: 70° to axis of valve	30 in.-lb.	Hard fiber sealing washer 0611650025 (25 pack, 100 pack)
057840099	5784	.305"-32	7/16"-20 thread for 1/4" flare tube fitting, meets SAE AS4395	5,000	Air line connection: 70° to axis of valve	30 in.-lb.	Hard fiber sealing washer 019370029 (25 pack, 100 pack)

* It may be necessary to replace the sealing washers after a number of uses to insure sealing on valve mouth



Due to the variety of operating conditions or applications, the customer is responsible to perform their own testing to insure performance, safety and warning requirements for the intended application.



SCHRADER-USA

205 FRAZIER ROAD
ALTAVISTA, VA 24517